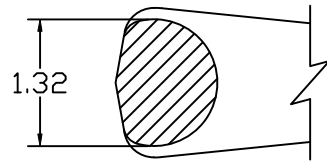
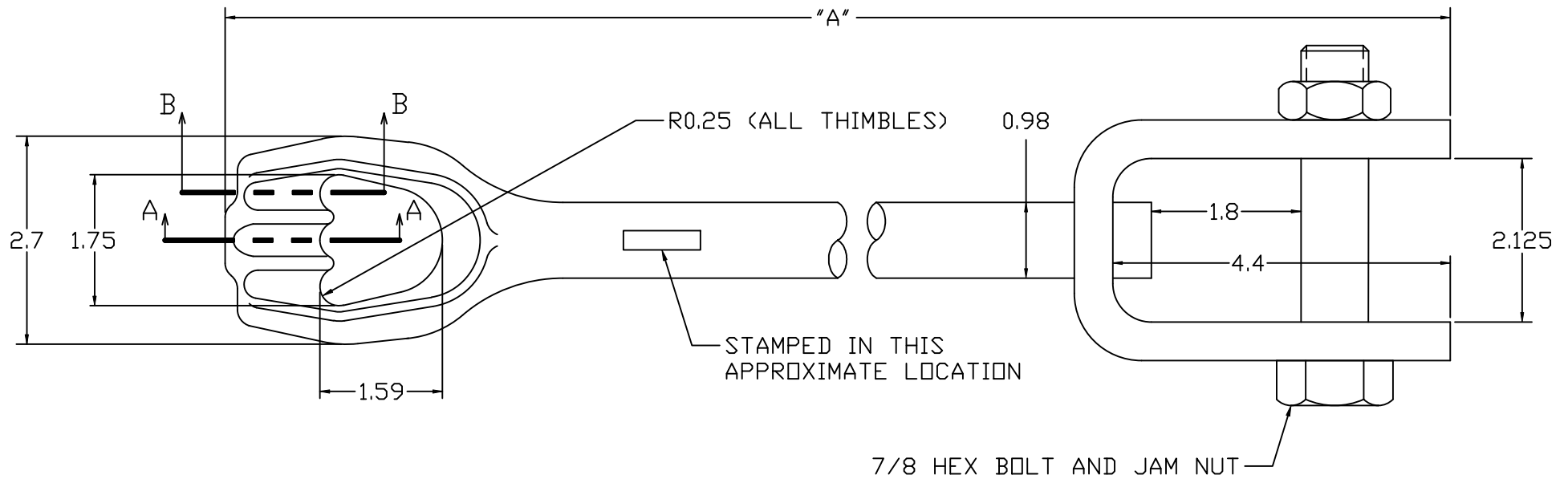


SECTION A-A



SECTION B-B



CATALOG NO.	DESCRIPTION	" A "	STAMP
PSC1022305	2 FT TRIPLEYE EXTENSION ROD	24	C-1-2X
PSC1022306	3 FT TRIPLEYE EXTENSION ROD	36	C-1-3X
PSC1022307	6 FT TRIPLEYE EXTENSION ROD	72	C-1-6X

NOTES:

1. ULTIMATE TENSION CAPACITY RATING: 36,000 LB. FAILURE TO ALIGN ROD WITHIN 5 DEGREES OF GUY LOAD MAY SIGNIFICANTLY REDUCE CAPACITY.
2. ROD MATERIAL: LOW CARBON STEEL.
3. FINISH: HOT-DIP GALVANIZED PER ASTM A153 (LATEST REVISION).
4. ROD STAMPED AS SHOWN IN TABLE.

CHANCE® <small>CONFIDENTIAL: THIS DRAWING AND ITS CONTENTS ARE CONFIDENTIAL AND THE EXCLUSIVE PROPERTY OF HUBBELL POWER SYSTEMS. NO PUBLICATION, DISTRIBUTION OR COPIES MAY BE MADE WITHOUT THE WRITTEN CONSENT OF HUBBELL POWER SYSTEMS. HUBBELL POWER SYSTEMS' UNPUBLISHED ALL RIGHTS RESERVED UNDER THE COPYRIGHT LAWS.</small>	HUBBELL POWER SYSTEMS	
	TITLE 1" TRIPLEYE EXTENSION ROD	
SIZE C	DWG NO. SA1022305	CAT / PART / ASSY NO. SEE TABLE
DO NOT SCALE THIS DRAWING	DRN BY JRB	DATE 2/22/22
		SHEET 01 OF 01